

CAUTION: It is important to read these instructions thoroughly before assembly to avoid potential risk and injury. Familiarize yourself with the inventory of parts and the accompanying illustrations to assure safe and proper assembly.

Thank you for choosing The Klöud, a high-performance 2 column lift base. It has been manufactured with care and precision and it has passed numerous quality and safety checks to ensure trouble-free and safe operation. You can be assured of lasting satisfaction with your Klöud model.

Important Safety Information:

1. Assembly and operation of The Klöud must be done in accordance with these assembly and operating instructions - otherwise there is a risk of injury.
2. The Klöud is solely intended to serve as an ergonomic adjustment device for desks in accordance with the weights and measurements given in these assembly instructions. Any usage other than that mentioned in these instructions is inappropriate; the manufacturer disclaims liability for any resulting damages. In such cases the user assumes responsibility for all risk.
3. Please also take into account the general, legal and other regulations and legal provisions that are applicable - including those that apply in the operator`s country - as well as the applicable environmental protection regulations. The regulations of trade associations or other supervisory authorities that are in force locally must always be observed.
4. The manufacturer cannot be held responsible for any losses or damage resulting from unauthorized modifications to The Klöud
5. Keep the assembly and operating instructions near the device.
6. Never leave children unattended with this base. Children can not properly evaluate the hazard presented by the force action of this base.



Please pay attention to these assembly and operating instruction to avoid a risk of injury!



There is considerable risk involved in improperly constructing, setting up and using the retracting compression spring columns that are under compression. Therefore it is compulsory to adhere to all safety requirements in this assembly guide and instruction manual. You are thereby providing for your safety as well as the safety of others.

When setting up the table the necessary room and safety distances to adjacent parts/furnishing objects must be observed. As The Klöud is placed among other items, the regulations of trade associations or other supervisory authorities that are in force locally have to be considered.

Children or other persons unable to understand or appreciate the dangers involved are not allowed in the assembly area during construction and set up of the table, which should be conducted by qualified personnel.

This equipment is not intended for use by persons, including children, with limited physical or mental capabilities or insufficient experience and/or insufficient knowledge.

The compression spring table is intended for proper use in commercial office and administrative areas.

It must be ensured that the loading on the compression spring table matches the set spring force.

After setting up the table, ensure that this assembly guide is always visible and accessible to other users. If necessary, inform others of their responsibility.



Lifting capacity: maximum weight 154lbs (70kg) including construction above the top frame (table top, desk top accessories, etc.) Alteration of the system in any form is not permitted.

Cleaning recommendations for powder-coated surfaces

For optimal care and cleaning of powder-coated surfaces the recommendations below should be followed:

- Use only a soft cloth or industrial cotton wool. Refrain from rubbing hard.
- Surface and cleaning agent temperatures <25°C. (Do not steam clean surface.)
- Clean stains with a damp soft cloth. Use cold or lukewarm water. Small amounts of neutral or alkaline detergent additives may be used if necessary.
- Do not apply detergent for extended periods of time. If necessary repeat cleaning process after 24 hours. Wipe with cold water immediately after cleaning. (Use a damp (not wet) cloth.)
- Do not use scratching or abrasive agents.
- Do not use acidic or strongly alkaline detergents.
- Do not use organic solvents which contain ester, ketone, alcohols, aromatic compounds, glycol ether, halogenated hydrocarbons or similar substances.

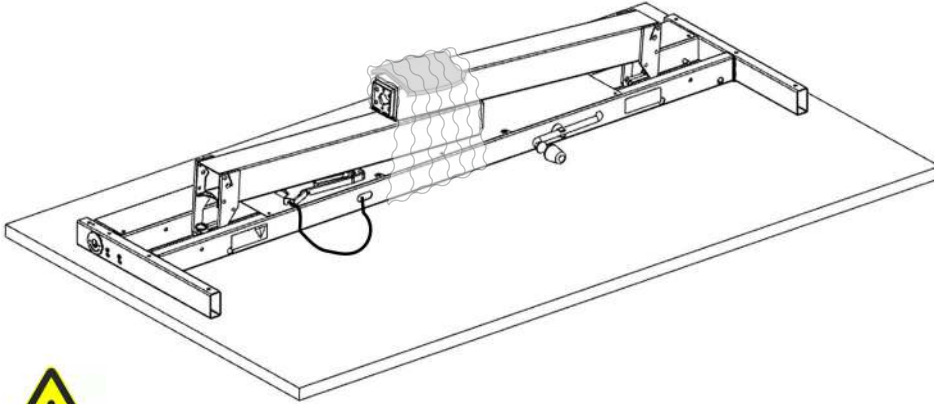
NOTE: Do not lubricate or use cleaning agents on the dry guides in the guide columns. Never use any silicone products as this can lead to squeaking of the guide columns.

 WARNING	
	<p>AVOID INJURY</p> <ul style="list-style-type: none"> - Do not remove strapping until the base is placed on the work surface risk of pinch point. - Do not activate the release lever before the table is fully assembled and in the upright position. - Table leg column may extend suddenly with great force and speed, which will damage the table and could cause serious injury.

 WARNING	
	<p>RISK OF INJURY. Legs extend suddenly.</p> <p>DO NOT remove safety lock pins unless table is fully assembled and in upright position.</p> <p>DO NOT activate release lever unless table is fully assembled and in upright position, or legs are fully extended.</p> <p>READ and follow directions to assemble table.</p> <p>SAVE Pins and RE-INSERT when legs are fully compressed BEFORE transporting table.</p>

 WARNING	
	<p>RIESGO DE LESIONES. Las patas se extienden de repente. NO retire los pasadores de seguridad a menos que la mesa esté completamente ensamblada y en posición vertical. NO active la palanca de liberación a menos que la mesa esté completamente ensamblada y en posición vertical, o las patas estén completamente extendidas. LEA y siga las instrucciones para armar la mesa. GUARDE los pasadores y VUELVA A INSERTAR cuando las patas estén completamente comprimidas ANTES de transportar la mesa.</p> <p>RISQUÉ DE BLESSURE. Les jambes s'étendent soudainement. NE PAS retirer les goupilles de verrouillage de sécurité à moins que la table ne soit complètement assemblée et en position verticale. N'activez PAS le levier de déverrouillage à moins que la table ne soit complètement assemblée et en position verticale, ou que les pieds ne soient complètement déployés. LISEZ et suivez les instructions pour assembler la table. ÉPARGNEZ les goupilles et RÉINSÉREZ lorsque les pieds sont complètement comprimés AVANT de transporter la table.</p>

- 1** Place work surface on floor. Set table base assembly on top of work surface. Remove packaging wrap once the frame is placed on the work surface

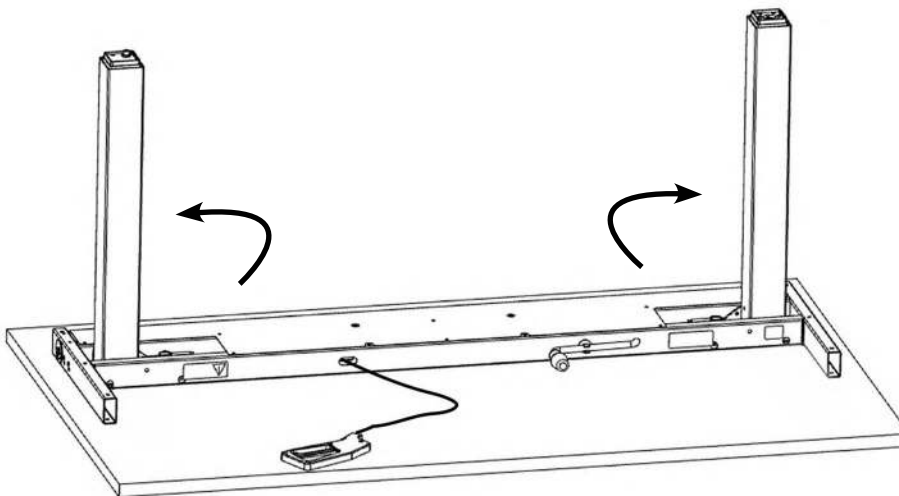


CAUTION: Never activate the manual release before the table is completely assembled and standing properly on the floor. Otherwise there is a safety risk when extending the unloaded columns.

TOOLS/
ACCESSORIES



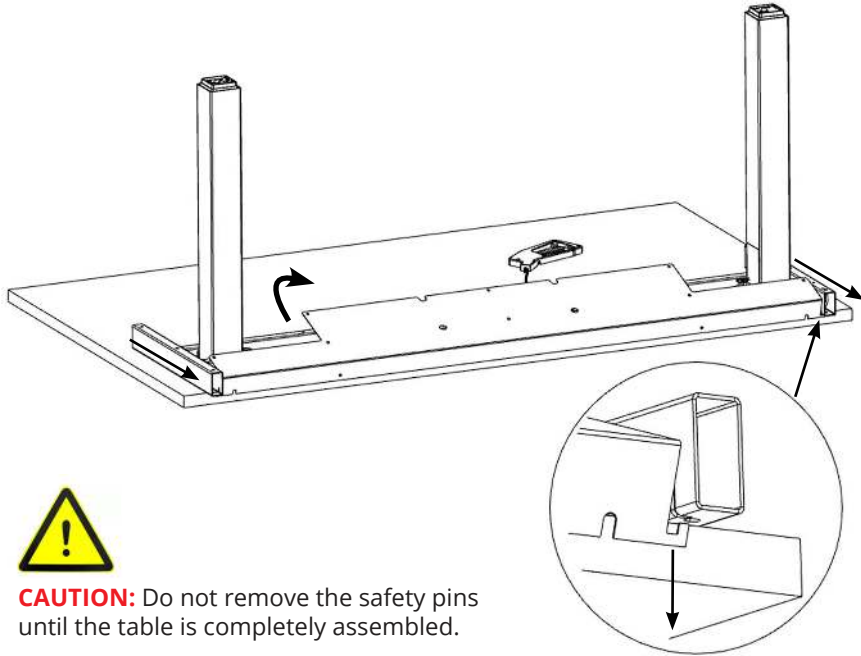
- 2** Lift legs perpendicular to the frame.




TOOLS/
ACCESSORIES




3 Move table base to rear of the work surface and slightly overhang the table frame to remove the cover. Gently rotate the cover to allow the tabs to drop out of frame.

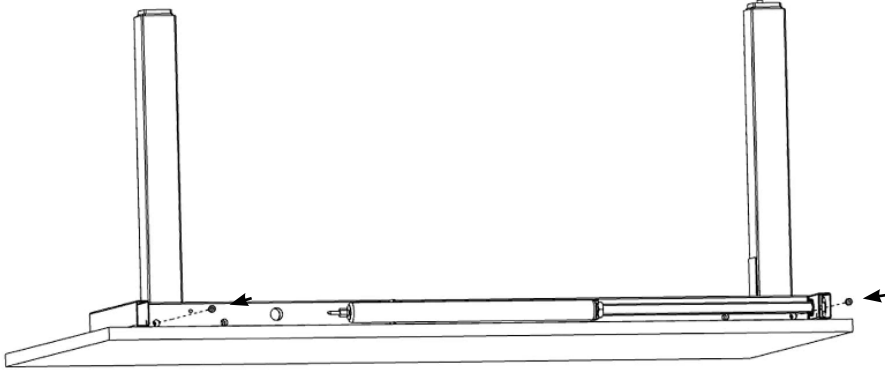


 **CAUTION:** Do not remove the safety pins until the table is completely assembled.

**TOOLS/
ACCESSORIES**

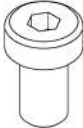


4 Install back bolts. Tighten front and back bolts (4 total).



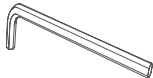
**TOOLS/
ACCESSORIES**

m8x14

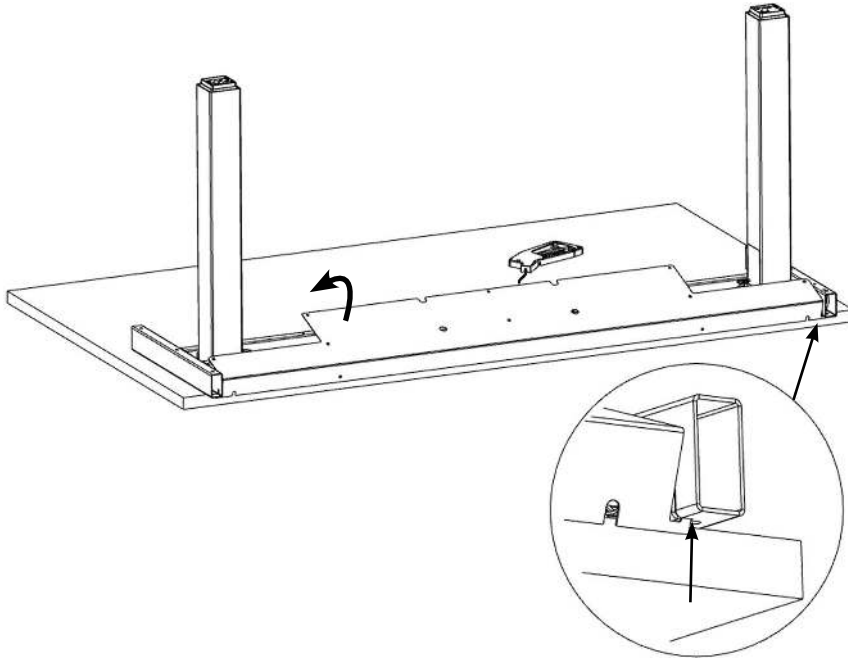


2x

m6



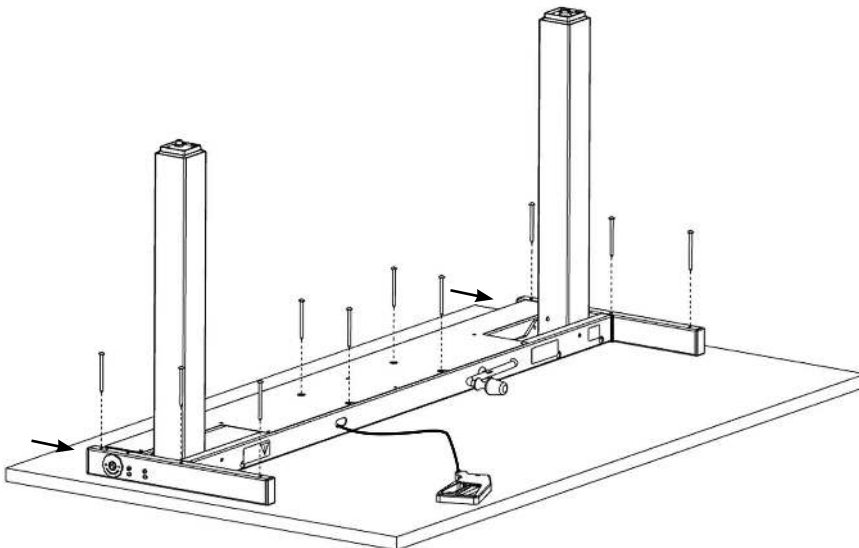
5 Replace cover by securing cover tabs into table frame. Gently rotate the cover back into the flat position.



TOOLS/
ACCESSORIES



6 Move table base into position on work surface. Secure base to work surface with screws. REFERENCE DRILL GUIDES ON PAGE 13

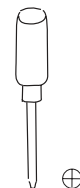


TOOLS/
ACCESSORIES

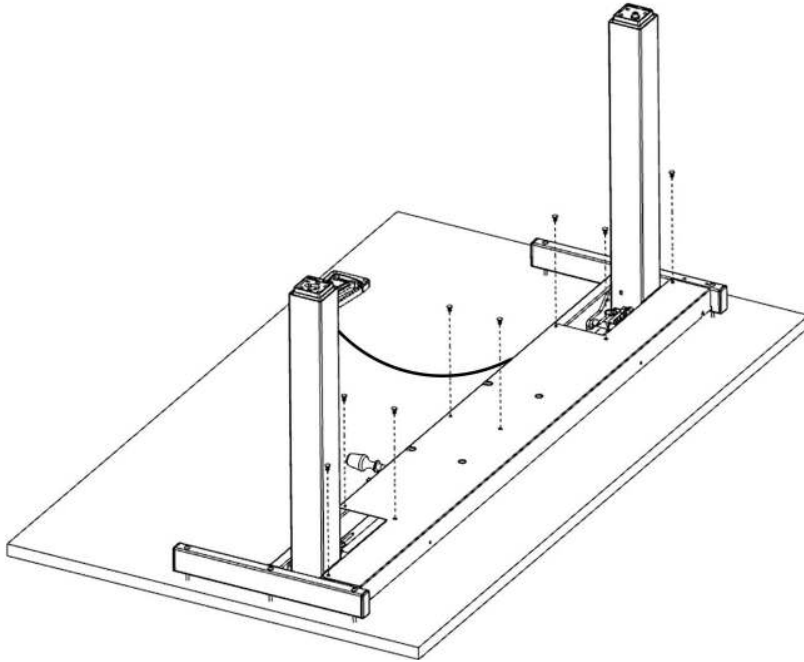
#12x2



10x



7 Attach cover using 8-12 xmas tree fasteners depending on frame size.



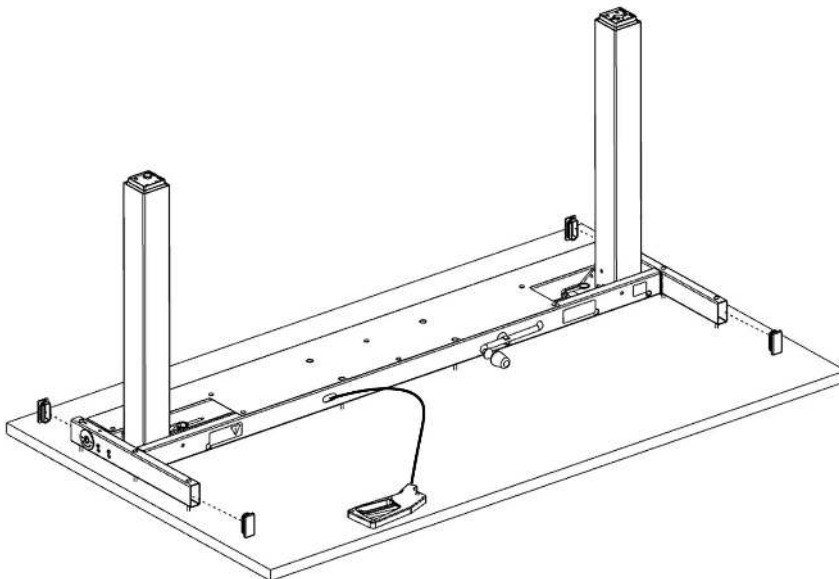
**TOOLS/
ACCESSORIES**

xmas tree
fastener



8x - 12x

8 Install tube caps.



**TOOLS/
ACCESSORIES**

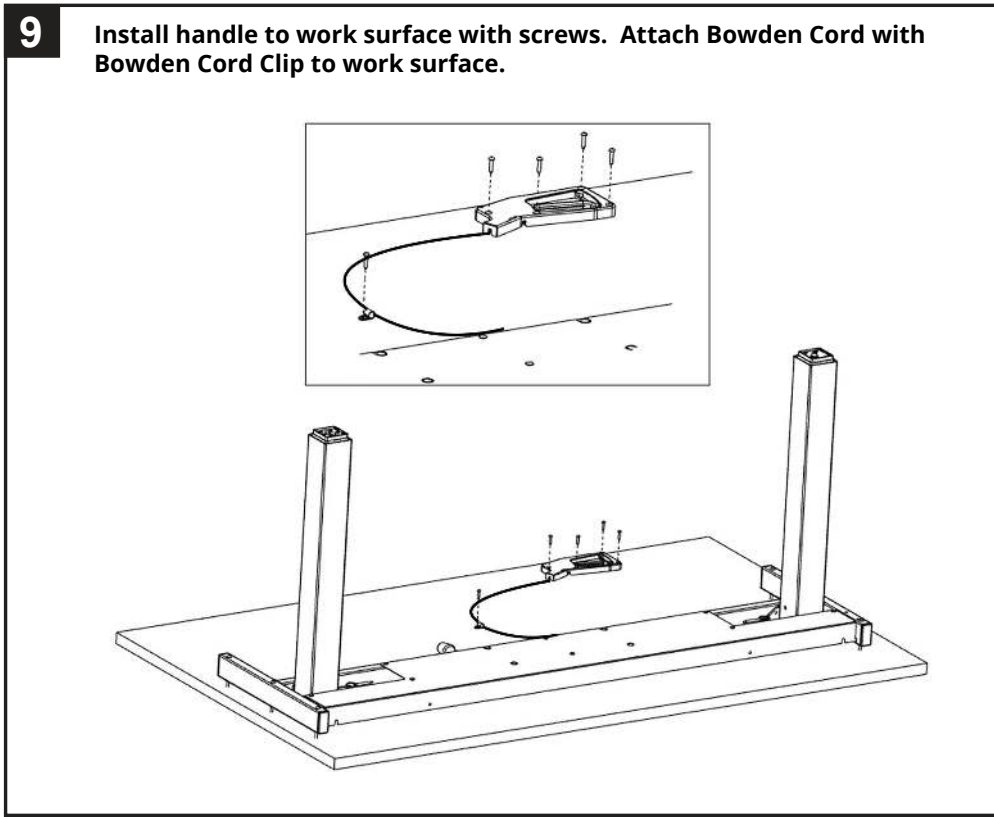
End cap



4x




9 Install handle to work surface with screws. Attach Bowden Cord with Bowden Cord Clip to work surface.



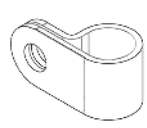
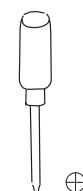
**TOOLS/
ACCESSORIES**

#8

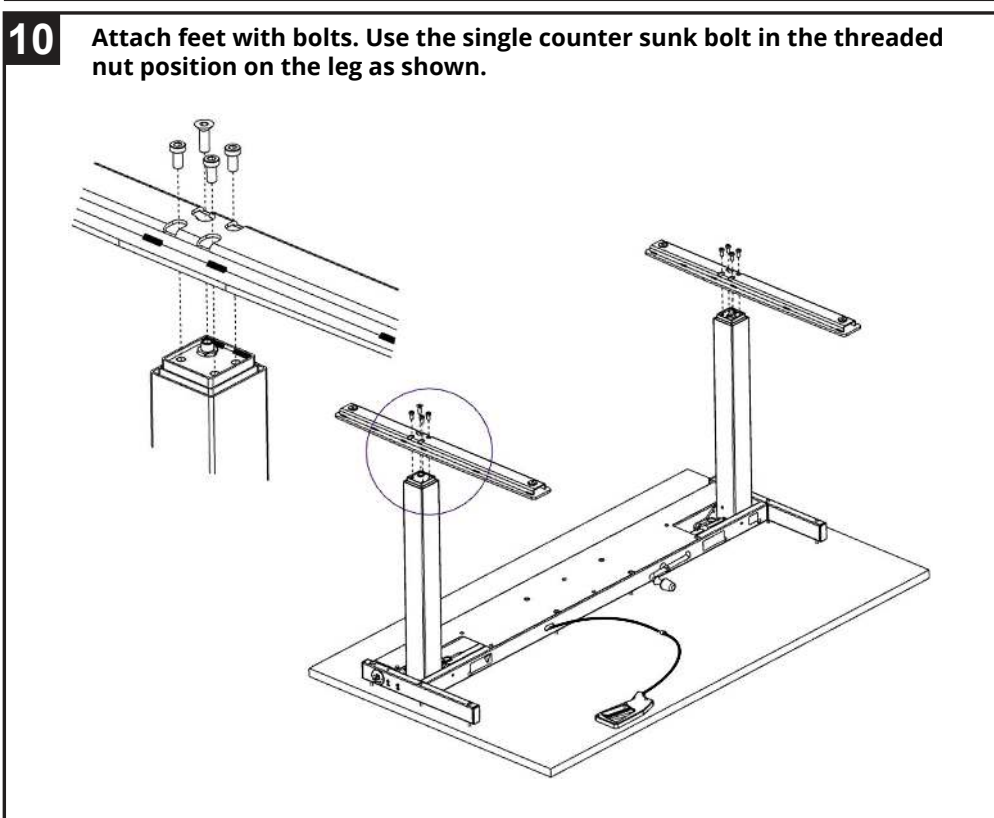


5x

Bowden
Cord Clip

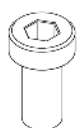



10 Attach feet with bolts. Use the single counter sunk bolt in the threaded nut position on the leg as shown.



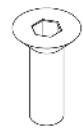
**TOOLS/
ACCESSORIES**

m8x16




7x

m8x25
countersunk

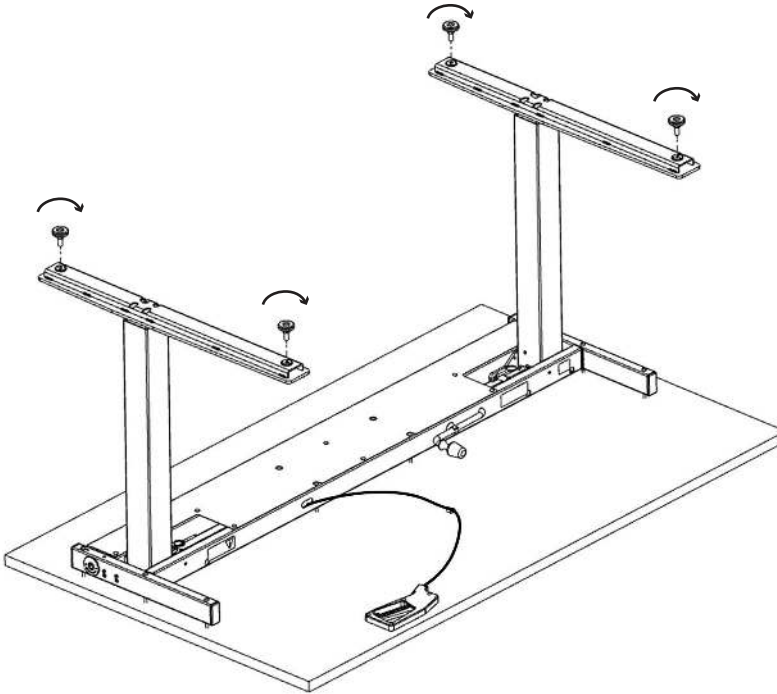


1x

m5

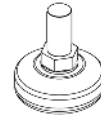


11 Install glides by screwing them in clockwise and adjusting with wrench. (OPTION - Install locking casters in the front of table and non-locking casters in rear of table with wrench.)



**TOOLS/
ACCESSORIES**

Glides



4x

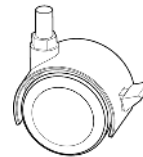


1/2"

(Option)

Locking
Casters

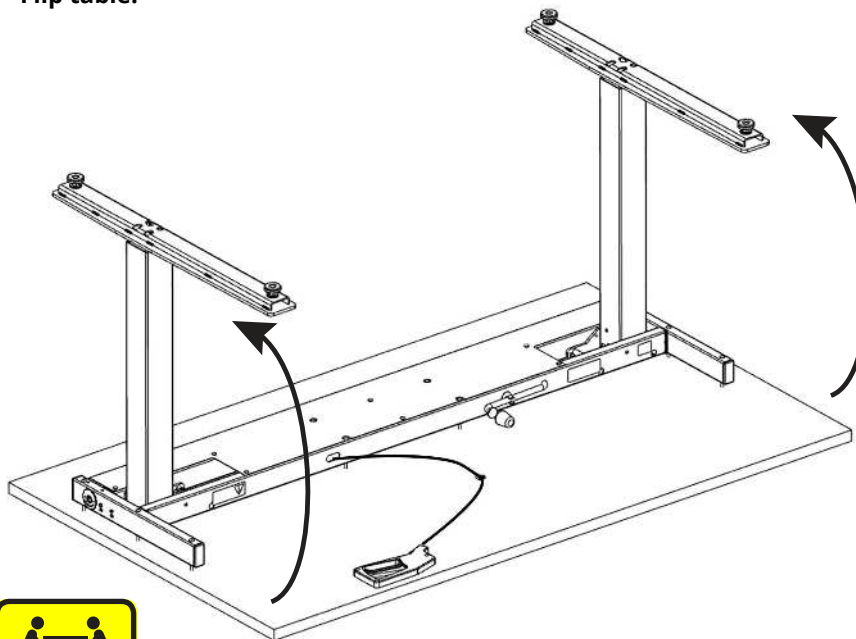
Non-Locking
Casters



2x

2x

12 Flip table.

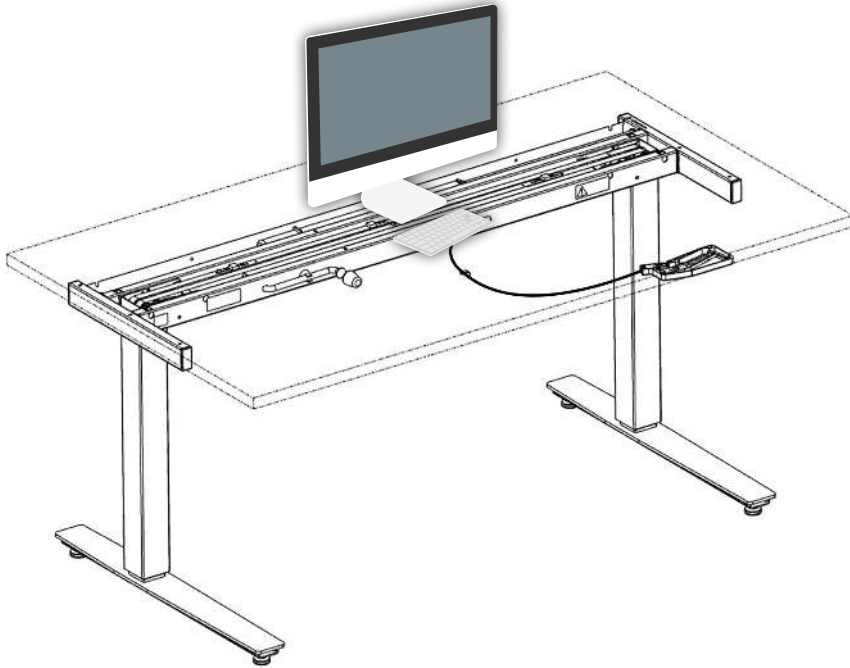


HEAVY OBJECT: Two person lift required.

**TOOLS &
ACCESSORIES**



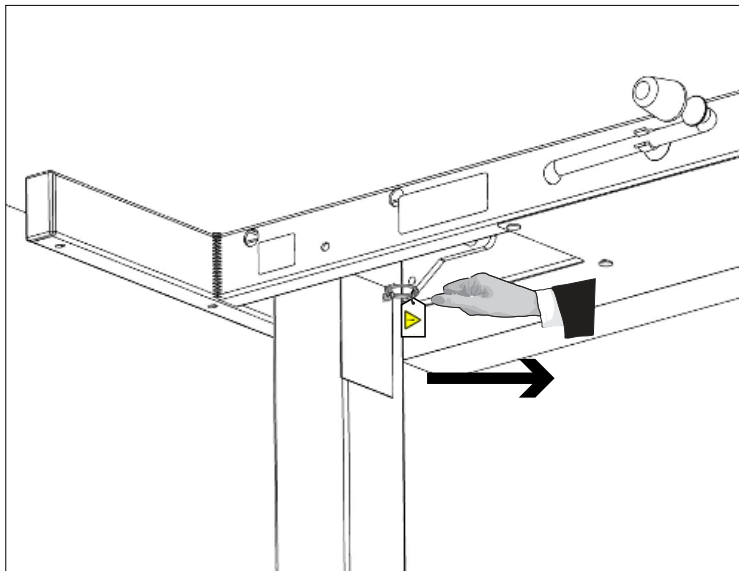
13 Add intended weight load while desk is in fixed position.



TOOLS/
ACCESSORIES



14 Remove pin from each column.



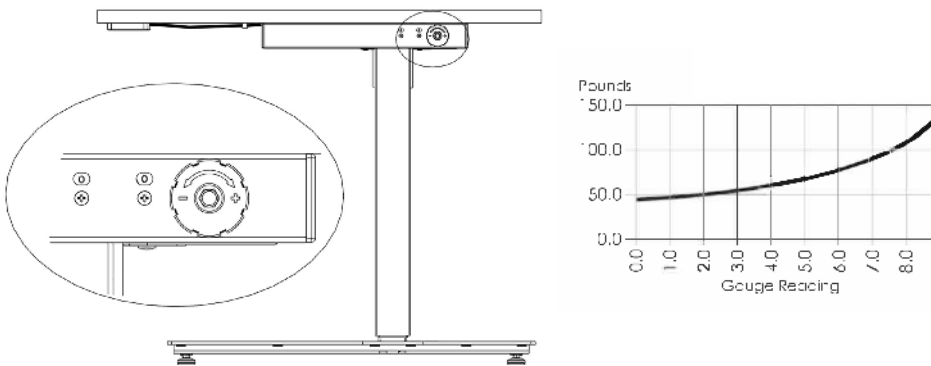
If pin is stuck, apply light downward pressure to the table top.

TOOLS/
ACCESSORIES



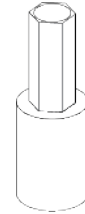
15 Using the ratchet wrench or manual driver with the 10mm hex bit, adjust the pneumatic force by turning the hex adjustment found on the side, next to the gauge.

- See the graph below right for a 48" table base. At the 0/0 gauge reading, weight is set for just under 50 lbs. That moves up slowly to about 60 lbs at the 4/0 gauge reading and then increases more rapidly, to over 100 lbs at the 8/0 gauge reading. **Do not adjust past the 8/0 setting due to risk of damage.**
- If you know the approximate weight of the table top (work surface plus contents), you can go to the gauge reading for that weight.
- The goal in making this adjustment is to equalize the force needed to raise the table with the force needed to lower it. This is important when testing operation.



**TOOLS/
ACCESSORIES**

10mm
Hex Bit

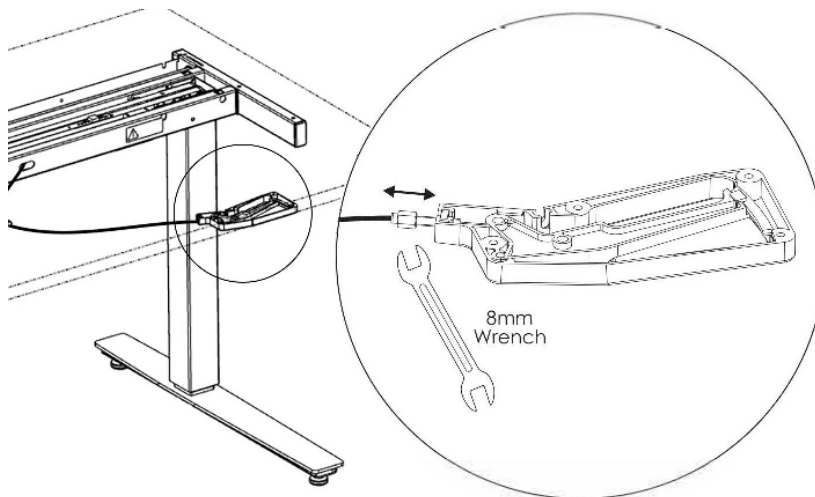


Ratchet
Wrench



16 Adjust cable tension if necessary.

- If the table does not lock into place when the lever is released, tighten the cable adjustment nut one-half turn and recheck.
- If the table stays locked in one place or moves slowly, loosen the cable adjustment nut one-half turn and recheck.



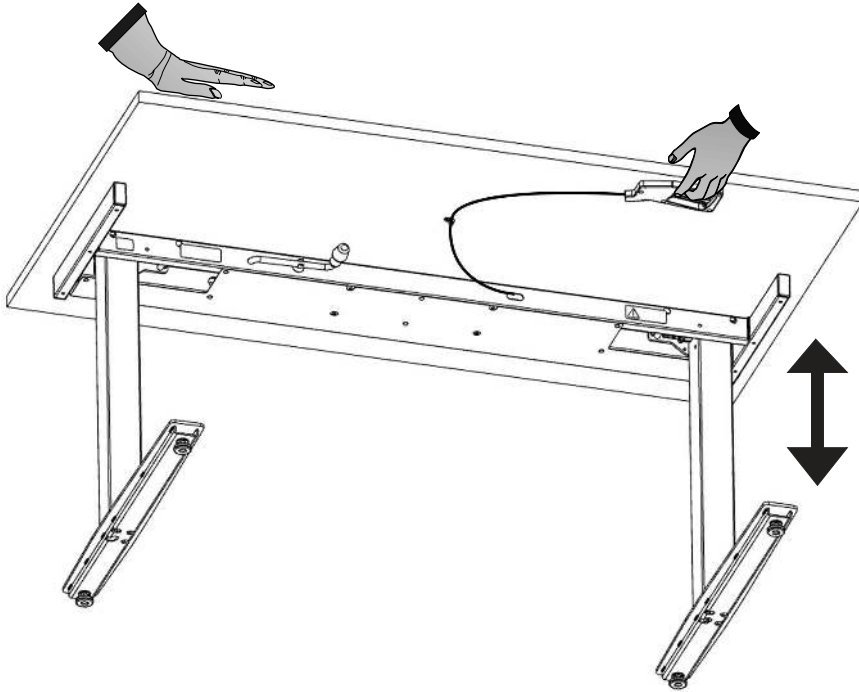
If needed adjust bowden cable. The lever of the hand release should have a little play in a non activated position.

**TOOLS/
ACCESSORIES**

8mm



17 Lightly press one hand onto the tabletop and activate the lever with the other hand until the table is at the desired height.

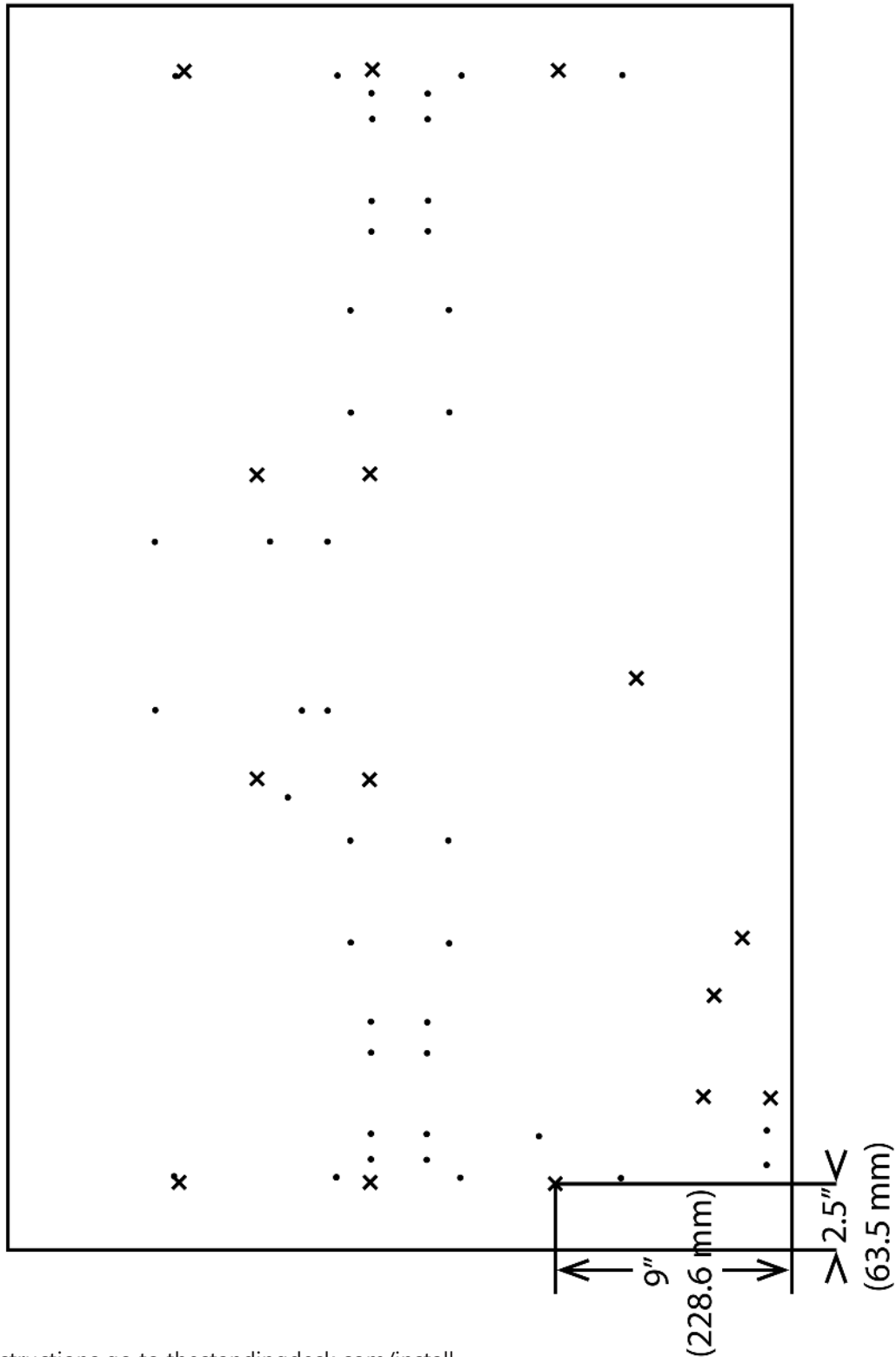


TOOLS/
ACCESSORIES



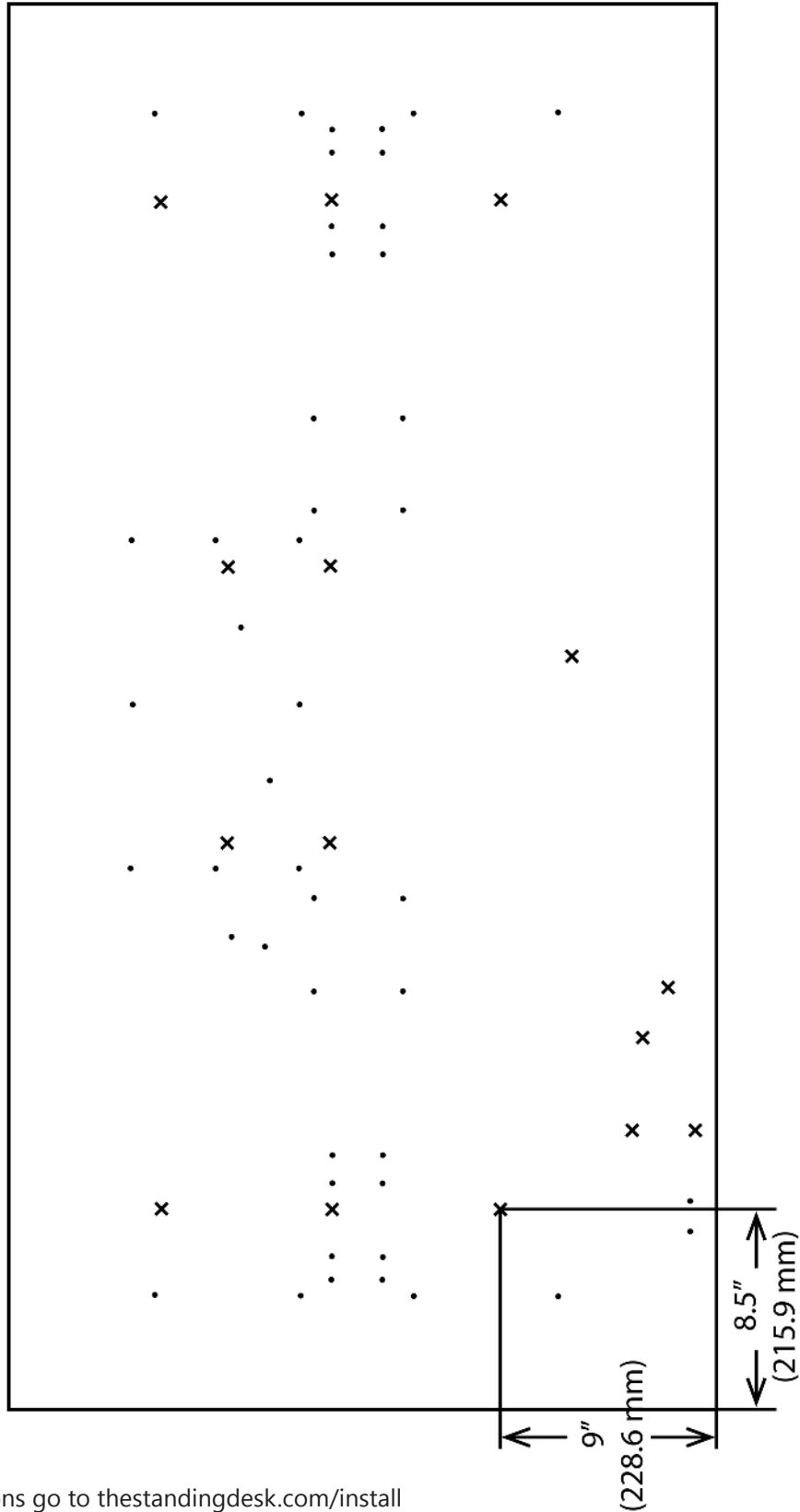
REFERENCE

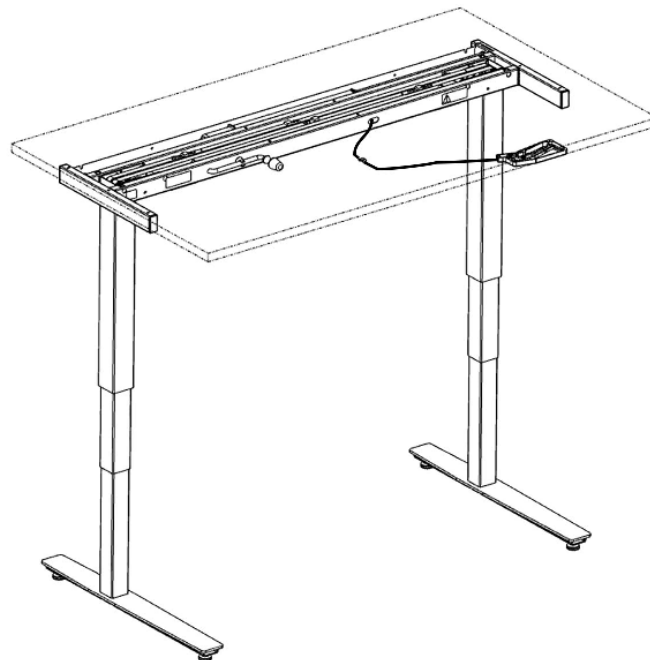
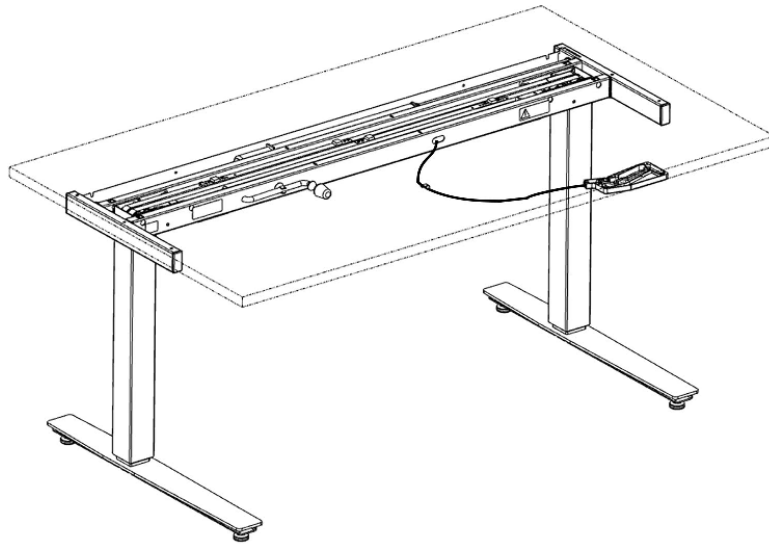
48" Work surface mount hole diagram.



REFERENCE

60" Work surface mount hole diagram.





500 mm Extension